

# WALL MOUNTED OSCILLATING FANS PW SERIES

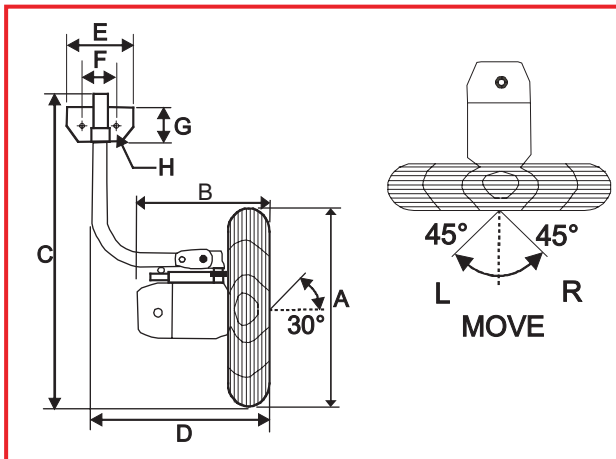


## FEATURES

- Supplied in wall mounted versions
- 90° Oscillation
- Suitable for cooling of workshops, marquees, factories, shops, gyms, school halls etc



Factory Public area



## DIMENSIONS(MM)

Model	A	B	C	D	E	F	G	H
PW - 450	508	325	650	470	119	115	115	Ø12.7
PW - 650	724	342	860	445	119	115	115	Ø12.7

## TECHNICAL DATA

Model	mm	V	Hz	W	max m <sup>3</sup> /s	dB
PW-450	450	220	50	175	1.86	56
PW-650	650	220	50	230	3.3	68

hydor  
FANS | CONTROLS | SYSTEMS