

In-Line Tube Fan HIT Series



B
I
N
-
L
I
N
E
F
A
N
S



Toilet



Bathroom



Kitchen

■ Features

- Wide range of residential, commercial and industrial exhaust or supply air applications. Direct connection to standard diameter circular ducting and comes standard with manufacturing
- Easy to install
- Performance up to $0.51\text{m}^3/\text{s}$
- Static pressures up to 650Pa

■ Special Features

- Can be mounted on any angle and suitable for ducting on intake and/or discharge side and for supply or exhaust applications

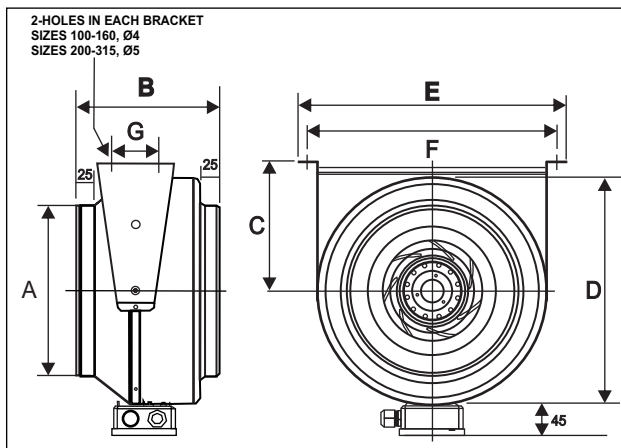
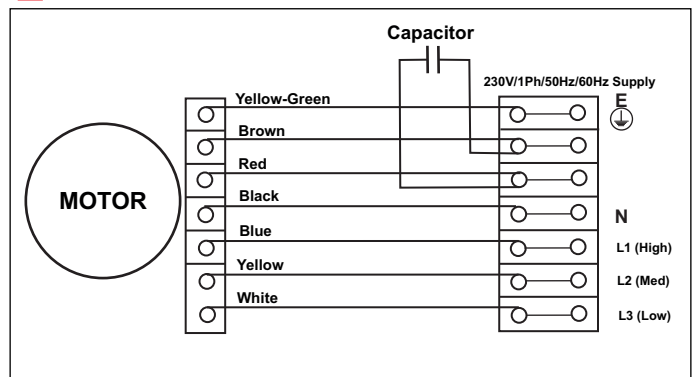
■ Construction

- Corrosion resistant pressed galvanised sheet steel body with backward-curved centrifugal impeller
- Electrical terminal on flying lead

■ Motors

- Type - external rotor, squirrel cage induction motor
- Electrical supply - 220-240V, single-phase, 50Hz (60Hz available upon request)
- Bearings - sealed for life, ball
- Speed - controllable with 2-speed switch available for Hi/Lo speed operation
- Motor - Ip44 Protection

■ WIRING

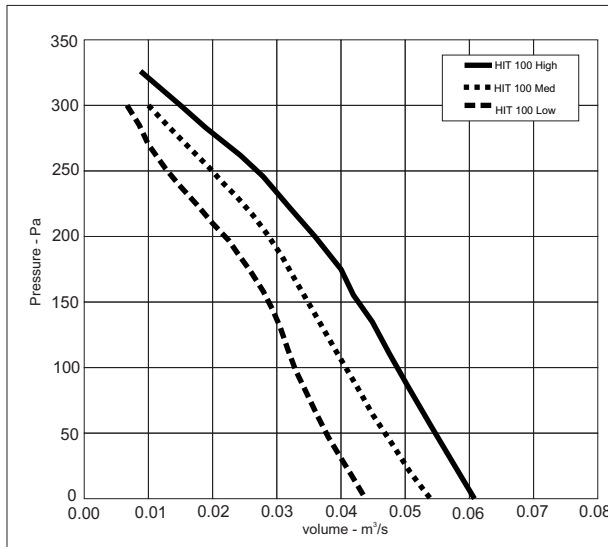


■ DIMENSIONS (mm)

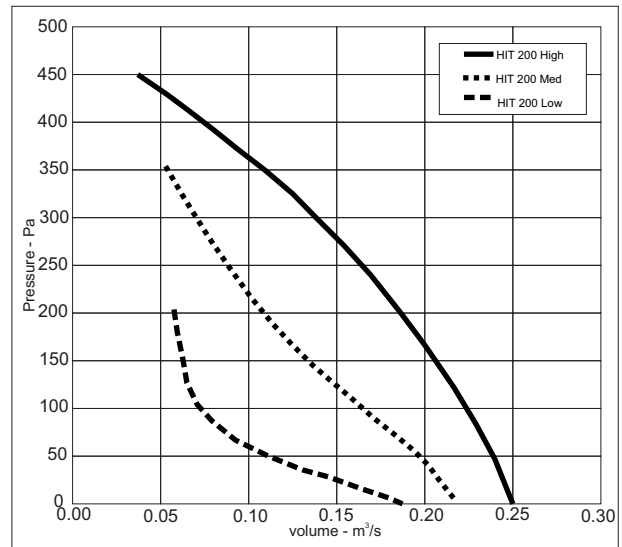
Model	A	B	C	D	E	F	G	Kg
HIT100	98	205	130	236	284	270	47	3.7
HIT125	123	193	130	236	284	270	47	3.7
HIT150	148	195	165	278	326	312	47	3.6
HIT200	198	235	190	333	392	372	100	5.5
HIT250B	248	210	190	333	392	372	100	5.3
HIT315B	313	265	227	400	460	440	100	8.8

■ TECHNICAL DATA

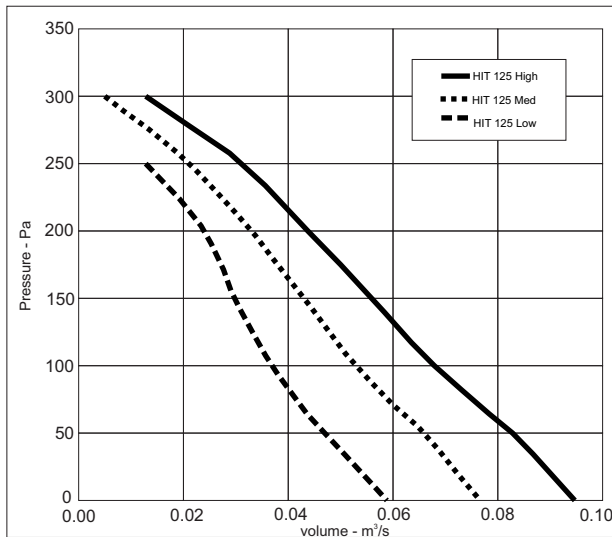
Model	v	Hz	dB	W	r.p.m.	Speed Controller	m ³ /hr		
							H	M	L
HIT100	230	50	47	59	2641	REB 2,5 N	219	194	158
HIT125	230	50	47	64	2550	REB 2,5 N	342	277	212
HIT150	230	50	51	62	2578	REB 2,5 N	464	403	324
HIT200	230	50	53	155	2502	REB 2,5 N	914	792	680
HIT250B	230	50	55	165	2480	REB 2,5 N	1119	867	680
HIT315B	230	50	56	240	2480	REB 5 N	1861	1746	1616



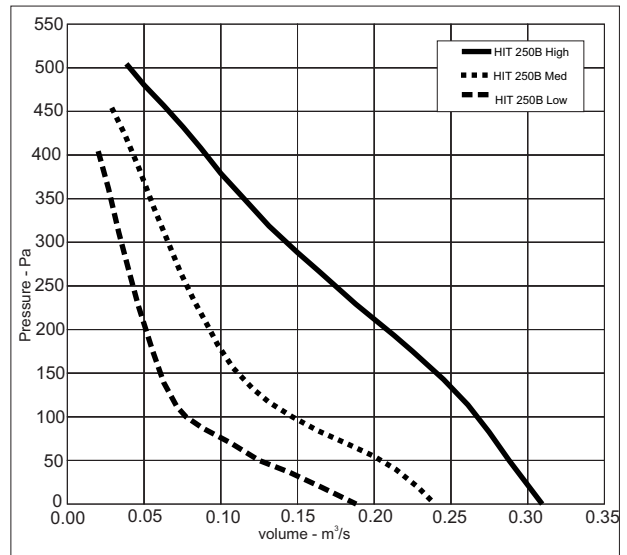
HIT 100



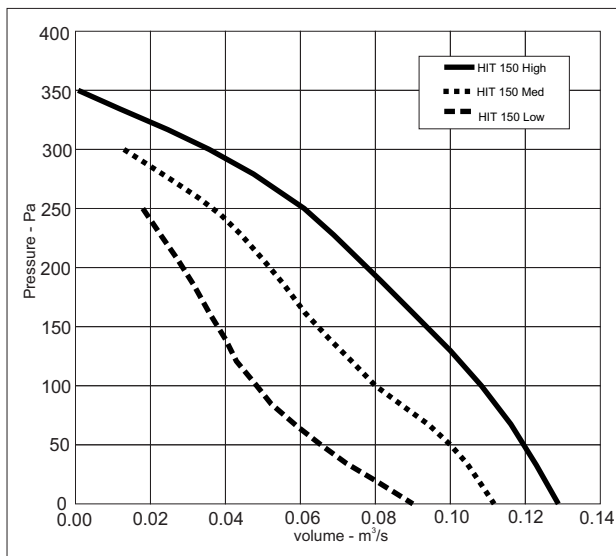
HIT 200



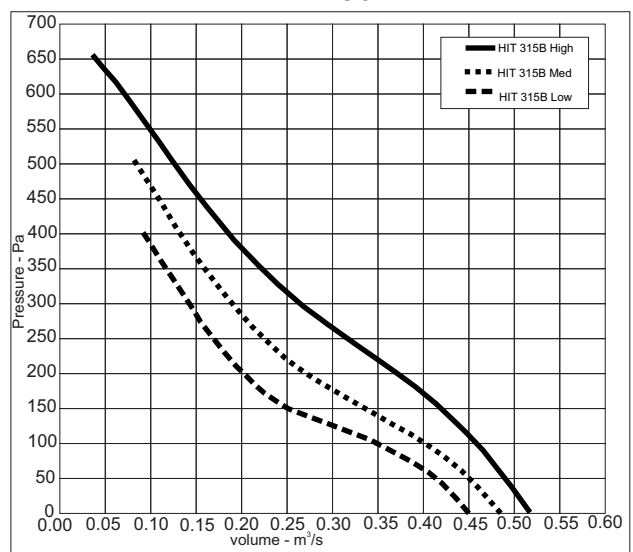
HIT 125



HIT 250B



HIT 150



HIT 315B